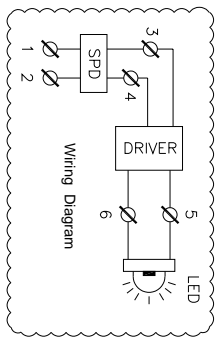


- Light Fitting Standard Specification :**
- a) WATTAGE : 50 WATTS
 - b) VOLTAGE : 140V-270V AC
 - c) POWER FACTOR : >0.95
 - d) INPUT FREQUENCY : 50 Hz
 - e) EFFICACY : >100 LUMEN PER WATT
 - f) COLOUR (CCT) : 3000K/5700K/6500K/OR AS SPECIFIED
 - g) CRI : >80 RA
 - h) TOTAL HARMONIC DISTORTION : ≤ 10% THD
 - i) BEAM ANGLE : 120 DEGREE
 - j) SURFACE TEMPERATURE : MAX. 70°
 - k) SURGE PROTECTION : 10 KV SPD

Light Fitting OPTIONS :

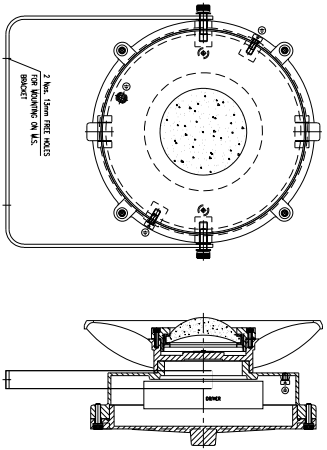
- Light Fitting CONSTRUCTION :** STAINLESS STEEL
- 1) MATERIAL CONSTRUCTION : STAINLESS STEEL
 - 2) VOLTAGE : 220V DC/110V AC/110V DC/24V AC
 - 3) BEAM ANGLE : LENS AVAILABLE 60/90/120 DEGREE
 - 4) LED MAKE : CITIZEN/OSRAM/BRIDGELUX/EQUIVALENT
 - 5) DRIVER MAKE : OSRAM/PHILIPS/FULHAM/EQUIVALENT
 - 6) CABLE GLAND & PLUG : BRASS/S.S./ALUMINIUM
 - 7) WIRE GUARD : M.S. WHITE EPOXY POWDER COATED / S.S.



- Reference IS/IEC Standard as follows :**
- 1 - FLAMEPROOF (Ex d) PROTECTION - IIA/IIb & IIC, IS/IEC 60079-1 (2014)
 - TEMPERATURE CLASS - T6
 - 2 - INGRESS (IP) PROTECTION - IP-66, IS/IEC 60529 (2001). (Reaffirmed 2014)
- Standard Specification :**
- 1 - MATERIAL - CAST ALUMINIUM ALLOY
 - 2 - FINISH - INSIDE & OUTSIDE LIGHT GREY EPOXY POWDER COATING SHADE No. 631 AS PER IS-5
 - 3 - EARTHING - 1 No. INSIDE & 2 Nos. OUTSIDE M6 SIZE S.S./BRASS SCREWS WITH 2 Nos. PLAIN WASHER
 - 4 - HARDWARE - STAINLESS STEEL
 - 5 - GASKET - 'O' RING ENDLESS NEOPRENE RUBBER GASKET
 - 6 - MOUNTING ARRGT. - AS SHOWN IN DRG.

Material / Components Specification :

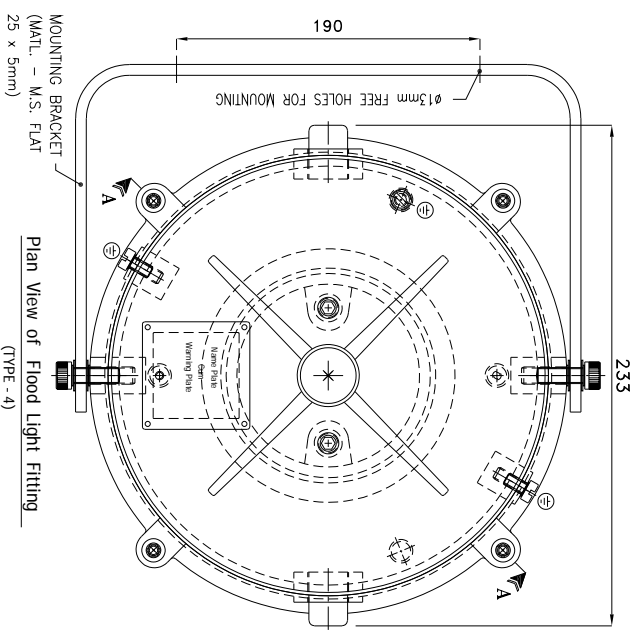
- 1 - S.S. NAME CUM WARNING PLATE (WITH DESCRIPTION TITLE, CIMFR, PESO, SR. NO., GAS GROUP, RATING, BIS MARKING, WARNING STATUS, etc...)
- 2 - GLASS - HEAT RESISTANCE CLEAR TOUCHED GLASS 'TYPE-A' OF 'SUDHIR' BRAND
- 3 - CABLE ENTRIES - 2 Nos. M20 / 1/2" NPT / 3/4" ET SIZE CABLE ENTRIES FROM SIDE (REFER DRAWING)
- 4 - TERMINALS - 6 Nos. 2.5sq. mm (MICRO) CLIP-ON TYPE TERMINALS OF 'ELMEY/CONNECTWELL' MAKE



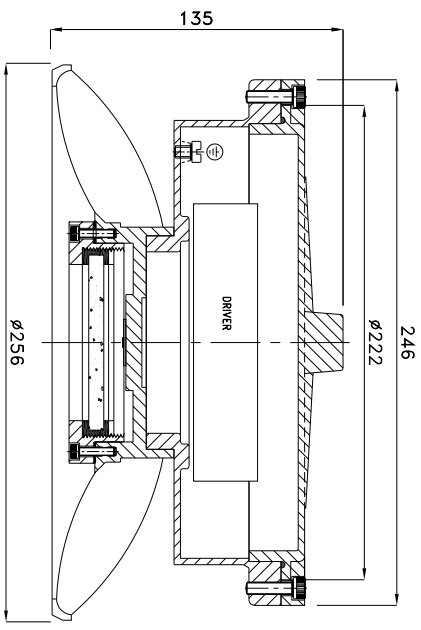
THIS DRAWING IS PROPERTY OF "SUDHIR SWITCHGEARS PVT. LTD." AND MUST BE RETURNED ON REQUEST IF IT IS SUBMITTED AS CONFIDENTIAL INFORMATION IN CONNECTION WITH ENQUIRY, TENDER, ORDER, OR CONTRACTS IT IS NOT TO BE USED FOR ANY OTHER PURPOSE OR ORDER NOR MAY IT RE-COPIED OR LENT WITHOUT OUR AUTHORITY IN WRITING.

THANJE

NOTE :		CAT. No.	WG/1240
COMPONENT LAYOUT IS TENTATIVE RELOCATION OF PARTS & COMPONENTS IS POSSIBLE AT THE TIME OF ACTUAL MANUFACTURING.		MODEL No.:	WG/1240/FL/50
OVERALL DIMENSIONS ARE ±10mm		DRN.	profili
Δ		CHKD.	JASNAK
Δ		APPD.	
Δ		SHEET	1 OF 1
REV.	DATE	DESCRIPTION	DRN.
			CHD.
			APPD.
			SCALE
			N. T. S. REV.-0
<p>SUDHIR SWITCHGEARS PVT. LTD. 130, MULBERRY SAMACHAR MARG, MULBERRY - 400 023</p> <p>TITLE : FLP-WP ENCLOSURE FOR FLOOD LIGHT FITTING SUITABLE FOR 50 WATTS LED LIGHT FITTING</p> <p>CHKD. CERT. No. : IN/CIMFR/TR21/P/H176 Dt. 11/08/2021</p> <p>PESO No. : P546023/1 Dt. 26/09/2022</p> <p>BIS LICENCE No. : CM/L-0002914461</p>			



Plan View of Flood Light Fitting
(TYPE - 4)



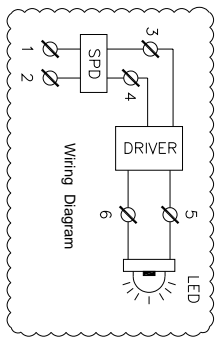
SECTIONAL VIEW OF FLOOD LIGHT FITTING
SECTION --A-A'

Light Fitting Standard Specification :

- a) WATTAGE : 60 WATTS
- b) VOLTAGE : 140V-270V AC
- c) POWER FACTOR : >0.95
- d) INPUT FREQUENCY : 50 Hz
- e) EFFICACY : >100 LUMEN PER WATT
- f) COLOUR (CCT) : 3000K/5700K/6500K/OR AS SPECIFIED
- g) CRI : >80 RA
- h) TOTAL HARMONIC DISTORTION : ≤ 10% THD
- i) BEAM ANGLE : 120 DEGREE
- j) SURFACE TEMPERATURE : MAX. 70°
- k) SURGE PROTECTION : 10 KV SPD

Light Fitting OPTIONS :

- 1) MATERIAL CONSTRUCTION : STAINLESS STEEL
- 2) VOLTAGE : 220V DC/110V AC/110V DC/24V AC
- 3) BEAM ANGLE : LENS AVAILABLE 60/90/120 DEGREE
- 4) LED MAKE : CITIZEN/OSRAM/BRIDGELUX/EQUIVALENT
- 5) DRIVER MAKE : OSRAM/PHILIPS/FULHAM/EQUIVALENT
- 6) CABLE GLAND & PLUG : BRASS/S.S./ALUMINIUM
- 7) WIRE GUARD : M.S. WHITE EPOXY POWDER COATED / S.S.



Reference IS/IEC Standard as follows :

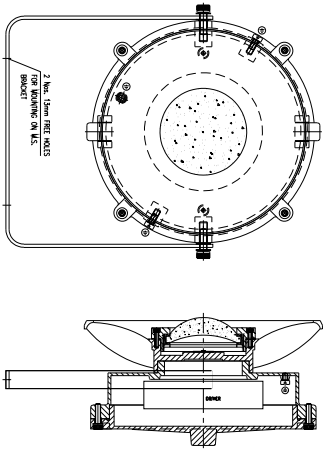
- 1 - FLAMEPROOF (Ex d) PROTECTION - IIA/IIb & IIC, IS/IEC 60079-1 (2014)
- TEMPERATURE CLASS - T6
- 2 - INGRESS (IP) PROTECTION - IP-66, IS/IEC 60529 (2001). (Reaffirmed 2014)

Standard Specification :

- 1 - MATERIAL - CAST ALUMINIUM ALLOY
- 2 - FINISH - INSIDE & OUTSIDE LIGHT GREY EPOXY POWDER COATING SHADE No. 631 AS PER IS-5
- 3 - EARTHING - 1 No. INSIDE & 2 Nos. OUTSIDE M6 SIZE S.S./BRASS SCREWS WITH 2 Nos. PLAIN WASHER
- 4 - HARDWARE - STAINLESS STEEL
- 5 - GASKET - 'O' RING ENDLESS NEOPRENE RUBBER GASKET
- 6 - MOUNTING ARRGT. - AS SHOWN IN DRG.

Material / Components Specification :

- 1 - S.S. NAME CUM WARNING PLATE (WITH DESCRIPTION TITLE, CIMFR, PESO, SR. NO., GAS GROUP, RATING, BIS MARKING, WARNING STATUS, etc...)
- 2 - GLASS - HEAT RESISTANCE CLEAR TOUCHENED GLASS 'TYPE-A' OF 'SUDHIR' BRAND
- 3 - CABLE ENTRIES - 2 Nos. M20 / 1/2" NPT / 3/4" ET SIZE CABLE ENTRIES FROM SIDE (REFER DRAWING)
- 4 - TERMINALS - 6 Nos. 2.5sq. mm (MICRO) CLIP-ON TYPE TERMINALS OF 'ELMEY/CONNECTWELL' MAKE

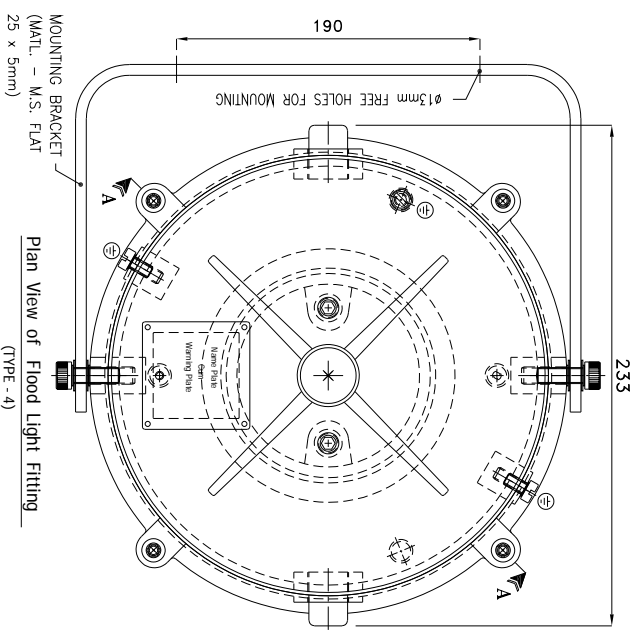


Bracket For Flood Light Fitting

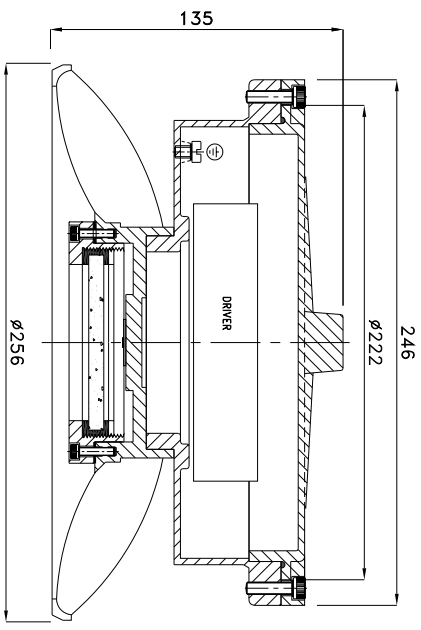
NOTE :

- COMPONENT LAYOUT IS TENTATIVE RELOCATION OF PARTS & COMPONENTS IS POSSIBLE AT THE TIME OF ACTUAL MANUFACTURING.
- OVERALL DIMENSIONS ARE ±10mm

REV.	DATE	DESCRIPTION	DRN.	CHD.	APPD.	SCALE	CAT. No.	MODEL No.	DRN.	CHD.	APPD.	CIMFR CERT. No.	PESO No. :	BIS LICENCE No. :
△							WG/1240	WG/1240/FL/60				IN/CIMFR/TR21/P/H176	P546023/1	CW/L-0002914461
△														
△														
△														
△														



Plan View of Flood Light Fitting
(TYPE - 4)



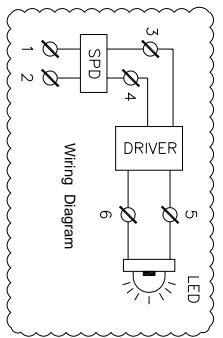
SECTIONAL VIEW OF FLOOD LIGHT FITTING
SECTION --A-A'

Light Fitting Standard Specification :

- a) WATTAGE : 70 WATTS
- b) VOLTAGE : 140V-270V AC
- c) POWER FACTOR : >0.95
- d) INPUT FREQUENCY : 50 Hz
- e) EFFICACY : >100 LUMEN PER WATT
- f) COLOUR (CCT) : 3000K/5700K/6500K/OR AS SPECIFIED
- g) CRI : >80 RA
- h) TOTAL HARMONIC DISTORTION : ≤ 10% THD
- i) BEAM ANGLE : 120 DEGREE
- j) SURFACE TEMPERATURE : MAX. 70°
- k) SURGE PROTECTION : 10 KV SPD

Light Fitting OPTIONS :

- 1) MATERIAL CONSTRUCTION : STAINLESS STEEL
- 2) VOLTAGE : 220V DC/110V AC/110V DC/24V AC
- 3) BEAM ANGLE : LENS AVAILABLE 60/90/120 DEGREE
- 4) LED MAKE : CITIZEN/OSRAM/BRIDGELUX/EQUIVALENT
- 5) DRIVER MAKE : OSRAM/PHILIPS/FULHAM/EQUIVALENT
- 6) CABLE GLAND & PLUG : BRASS/S.S./ALUMINIUM
- 7) WIRE GUARD : M.S. WHITE EPOXY POWDER COATED / S.S.



ALL DIMENSIONS ARE IN MM UNLESS OTHERWISE SPECIFIED.

Reference IS/IEC Standard as follows :

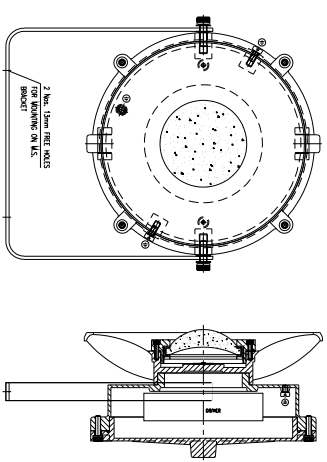
- 1 - FLAMEPROOF (Ex d) PROTECTION - IIA/IIb & IIC, IS/IEC 60079-1 (2014)
- TEMPERATURE CLASS - T6
- 2 - INGRESS (IP) PROTECTION - IP-66, IS/IEC 60529 (2001). (Reaffirmed 2014)

Standard Specification :

- 1 - MATERIAL - CAST ALUMINIUM ALLOY
- 2 - FINISH - INSIDE & OUTSIDE LIGHT GREY EPOXY POWDER COATING SHADE No. 631 AS PER IS-5
- 3 - EARTHING - 1 No. INSIDE & 2 Nos. OUTSIDE M6 SIZE S.S./BRASS SCREWS WITH 2 Nos. PLAIN WASHER
- 4 - HARDWARE - STAINLESS STEEL
- 5 - GASKET - 'O' RING ENDLESS NEOPRENE RUBBER GASKET
- 6 - MOUNTING ARRGT. - AS SHOWN IN DRG.

Material / Components Specification :

- 1 - S.S. NAME CUM WARNING PLATE (WITH DESCRIPTION TITLE, CIMFR, PESO, SR. NO., GAS GROUP, RATING, BIS MARKING, WARNING STATUS, etc...)
- 2 - GLASS - HEAT RESISTANCE CLEAR TOUCHENED GLASS 'TYPE-A' OF 'SUDHIR' BRAND
- 3 - CABLE ENTRIES - 2 Nos. M20 / 1/2" NPT / 3/4" ET SIZE CABLE ENTRIES FROM SIDE (REFER DRAWING)
- 4 - TERMINALS - 6 Nos. 2.5sq. mm (MICRO) CLIP-ON TYPE TERMINALS OF 'ELMEY/CONNECTWELL' MAKE

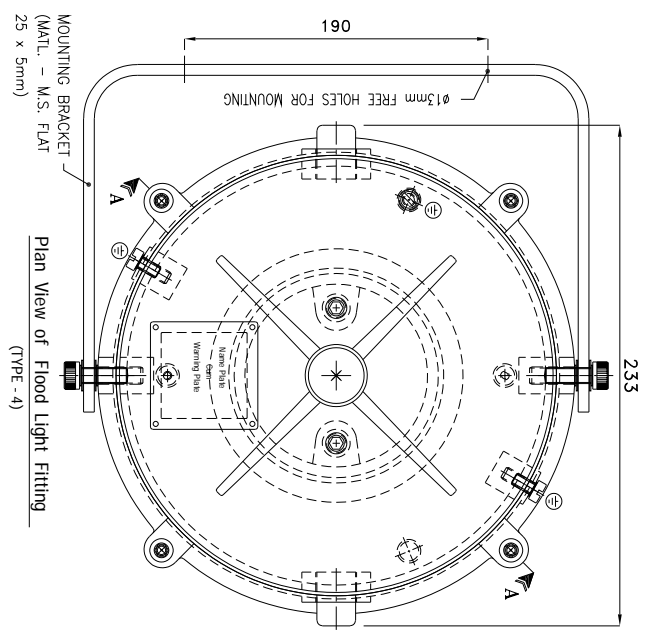


Bracket For Flood Light Fitting

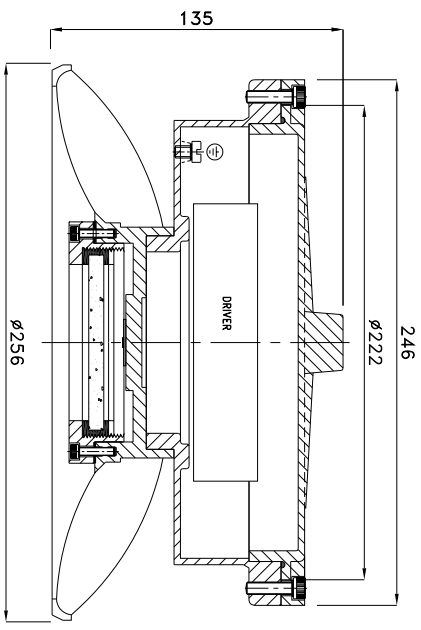
THIS DRAWING IS PROPERTY OF "SUDHIR SWITCHGEARS PVT. LTD." AND MUST BE RETURNED ON REQUEST IF IT IS SUBMITTED AS CONFIDENTIAL INFORMATION IN CONNECTION WITH ENQUIRY, TENDER, ORDER, OR CONTRACTS IT IS NOT TO BE USED FOR ANY OTHER PURPOSE OR ORDER NOR MAY IT RE-COPIED OR LENT WITHOUT OUR AUTHORITY IN WRITING.

THANE

NOTE :		CAT. No.	WG/1240
COMPONENT LAYOUT IS TENTATIVE RELOCATION OF PARTS & COMPONENTS IS POSSIBLE AT THE TIME OF ACTUAL MANUFACTURING.		MODEL No.:	WG/1240/FL/70
OVERALL DIMENSIONS ARE ±10mm		DRN.	profill
Δ		CHKD.	JASRAH
Δ		APPD.	
Δ		SHEET	1 OF 1
REV.	DATE	DESCRIPTION	DRN.
			CHD.
			APPD.
			SCALE
			N. T. S. REV.-0
<p>SUDHIR SWITCHGEARS PVT. LTD. 130, MULBENI SAMACHAR MARG, MULBENI - 400 023</p> <p>TITLE : FLP-WP ENCLOSURE FOR FLOOD LIGHT FITTING SUITABLE FOR 70 WATTS LED LIGHT FITTING</p> <p>CHKD. CERT. No. : IN/CIMFR/TR21/P/H176 Dt. 11/08/2021</p> <p>PESO No. : P546023/1 Dt. 26/09/2022</p> <p>BIS LICENCE No. : CM/L-0002914461</p>			



Plan View of Flood Light Fitting
(TYPE - 4)



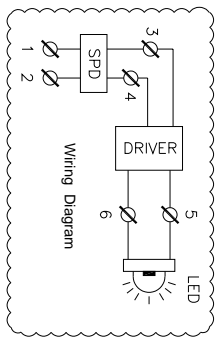
SECTIONAL VIEW OF FLOOD LIGHT FITTING
SECTION -- A-A'

Light Fitting Standard Specification :

- a) WATTAGE : 75 WATTS
- b) VOLTAGE : 140V-270V AC
- c) POWER FACTOR : >0.95
- d) INPUT FREQUENCY : 50 Hz
- e) EFFICACY : >100 LUMEN PER WATT
- f) COLOUR (CCT) : 3000K/5700K/6500K/OR AS SPECIFIED
- g) CRI : >80 RA
- h) TOTAL HARMONIC DISTORTION : ≤ 10% THD
- i) BEAM ANGLE : 120 DEGREE
- j) SURFACE TEMPERATURE : MAX. 70°
- k) SURGE PROTECTION : 10 KV SPD

Light Fitting OPTIONS :

- 1) MATERIAL CONSTRUCTION : STAINLESS STEEL
- 2) VOLTAGE : 220V DC/110V AC/110V DC/24V AC
- 3) BEAM ANGLE : LENS AVAILABLE 60/90/120 DEGREE
- 4) LED MAKE : CITIZEN/OSRAM/BRIDGELUX/EQUIVALENT
- 5) DRIVER MAKE : OSRAM/PHILIPS/FULHAM/EQUIVALENT
- 6) CABLE GLAND & PLUG : BRASS/S.S./ALUMINIUM
- 7) WIRE GUARD : M.S. WHITE EPOXY POWDER COATED / S.S.



Reference IS/IEC Standard as follows :

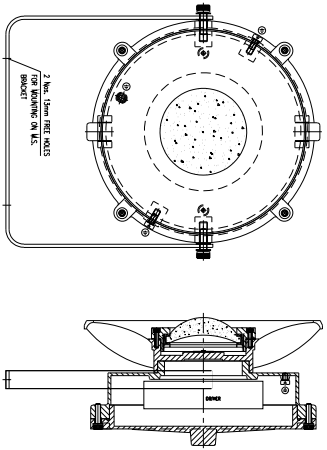
- 1 - FLAMEPROOF (Ex d) PROTECTION - IIA/IIb & IIC, IS/IEC 60079-1 (2014)
- TEMPERATURE CLASS - T6
- 2 - INGRESS (IP) PROTECTION - IP-66, IS/IEC 60529 (2001). (Reaffirmed 2014)

Standard Specification :

- 1 - MATERIAL - CAST ALUMINIUM ALLOY
- 2 - FINISH - INSIDE & OUTSIDE LIGHT GREY EPOXY POWDER COATING SHADE No. 631 AS PER IS-5
- 3 - EARTHING - 1 No. INSIDE & 2 Nos. OUTSIDE M6 SIZE S.S./BRASS SCREWS WITH 2 Nos. PLAIN WASHER
- 4 - HARDWARE - STAINLESS STEEL
- 5 - GASKET - 'O' RING ENDLESS NEOPRENE RUBBER GASKET
- 6 - MOUNTING ARRGT. - AS SHOWN IN DRG.

Material / Components Specification :

- 1 - S.S. NAME CUM WARNING PLATE (WITH DESCRIPTION TITLE, CIMFR, PESO, SR. NO., GAS GROUP, RATING, BIS MARKING, WARNING STATUS, etc...)
- 2 - GLASS - HEAT RESISTANCE CLEAR TOUCHENED GLASS 'TYPE-A' OF 'SUDHIR' BRAND
- 3 - CABLE ENTRIES - 2 Nos. M20 / 1/2" NPT / 3/4" ET SIZE CABLE ENTRIES FROM SIDE (REFER DRAWING)
- 4 - TERMINALS - 6 Nos. 2.5sq. mm (MICRO) CLIP-ON TYPE TERMINALS OF 'ELMEY/CONNECTWELL' MAKE

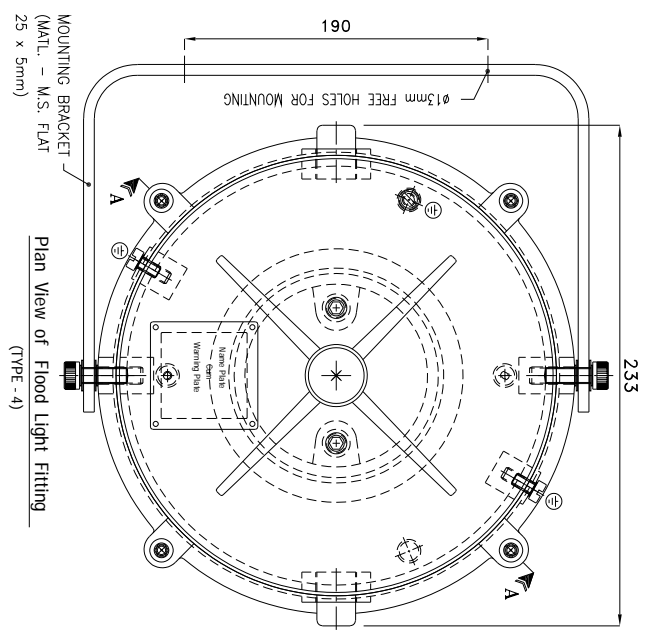


Bracket For Flood Light Fitting

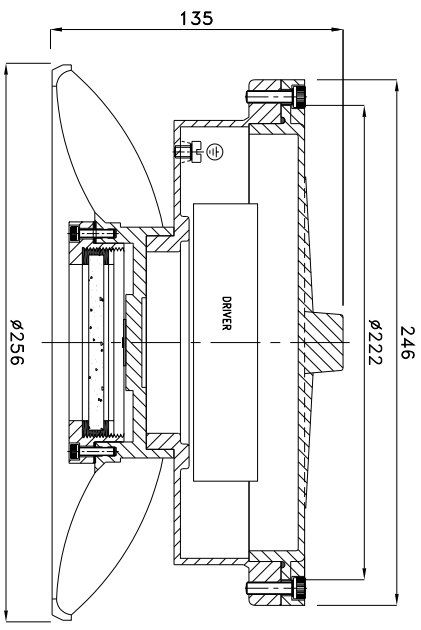
THIS DRAWING IS PROPERTY OF "SUDHIR SWITCHGEARS PVT. LTD." AND MUST BE RETURNED ON REQUEST IF IT IS SUBMITTED AS CONFIDENTIAL INFORMATION IN CONNECTION WITH ENQUIRY, TENDER, ORDER, OR CONTRACTS IT IS NOT TO BE USED FOR ANY OTHER PURPOSE OR ORDER NOR MAY IT RE-COPIED OR LENT WITHOUT OUR AUTHORITY IN WRITING.

THANE

NOTE :		CAT. No	WG/1240
• COMPONENT LAYOUT IS TENTATIVE RELOCATION OF PARTS & COMPONENTS IS POSSIBLE AT THE TIME OF ACTUAL MANUFACTURING.		MODEL No.:	WG/1240/FL/75
• OVERALL DIMENSIONS ARE ±10mm		DRN.	profill
Δ		CHKD.	JASRAH
Δ		APPD.	
Δ		SHEET	1 OF 1
REV.	DATE	DESCRIPTION	DRN.
			CHD.
			APPD.
			SCALE
			N. T. S. REV.-0
<p>SUDHIR SWITCHGEARS PVT. LTD. 130, MULBENI SAMACHAR MARG, MULBENI - 400 023</p> <p>TITLE : FLP-WP ENCLOSURE FOR FLOOD LIGHT FITTING SUITABLE FOR 75 WATTS LED LIGHT FITTING</p> <p>CHKD. CERT. No. : IN/CIMFR/TR21/P/H176 Dt. 11/08/2021</p> <p>PESO No. : P546023/1 Dt. 26/09/2022</p> <p>BIS LICENCE No. : CM/L-0002914461</p>			



Plan View of Flood Light Fitting
(TYPE - 4)

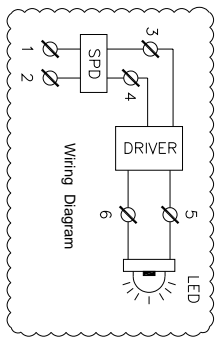


SECTIONAL VIEW OF FLOOD LIGHT FITTING
SECTION -- A-A'

- Light Fitting Standard Specification :**
- a) WATTAGE : 80 WATTS
 - b) VOLTAGE : 140V-270V AC
 - c) POWER FACTOR : >0.95
 - d) INPUT FREQUENCY : 50 Hz
 - e) EFFICACY : ≥100 LUMEN PER WATT
 - f) COLOUR (CCT) : 3000K/5700K/6500K/OR AS SPECIFIED
 - g) CRI : ≥80 RA
 - h) TOTAL HARMONIC DISTORTION : ≤ 10% THD
 - i) BEAM ANGLE : 120 DEGREE
 - j) SURFACE TEMPERATURE : MAX. 70°
 - k) SURGE PROTECTION : 10 KV SPD

Light Fitting OPTIONS :

- Light Fitting CONSTRUCTION :** STAINLESS STEEL
- 1) MATERIAL CONSTRUCTION : STAINLESS STEEL
 - 2) VOLTAGE : 220V DC/110V AC/110V DC/24V AC
 - 3) BEAM ANGLE : LENS AVAILABLE 60/90/120 DEGREE
 - 4) LED MAKE : CITIZEN/OSRAM/BRIDGELUX/EQUIVALENT
 - 5) DRIVER MAKE : OSRAM/PHILIPS/FULHAM/EQUIVALENT
 - 6) CABLE GLAND & PLUG : BRASS/S.S./ALUMINIUM
 - 7) WIRE GUARD : M.S. WHITE EPOXY POWDER COATED / S.S.



Reference IS/IEC Standard as follows :

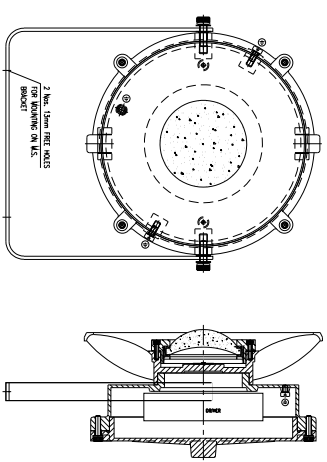
- 1 - FLAMEPROOF (Ex d) PROTECTION - IIA/IB & IIC, IS/IEC 60079-1 (2014)
- TEMPERATURE CLASS - T6
- 2 - INGRESS (IP) PROTECTION - IP-66, IS/IEC 60529 (2001). (Reaffirmed 2014)

Standard Specification :

- 1 - MATERIAL - CAST ALUMINIUM ALLOY
- 2 - FINISH - INSIDE & OUTSIDE LIGHT GREY EPOXY POWDER COATING SHADE No. 631 AS PER IS-5
- 3 - EARTHING - 1 No. INSIDE & 2 Nos. OUTSIDE M6 SIZE S.S./BRASS SCREWS WITH 2 Nos. PLAIN WASHER
- 4 - HARDWARE - STAINLESS STEEL
- 5 - GASKET - 'O' RING ENDLESS NEOPRENE RUBBER GASKET
- 6 - MOUNTING ARRGT. - AS SHOWN IN DRG.

Material / Components Specification :

- 1 - S.S. NAME CUM WARNING PLATE (WITH DESCRIPTION TITLE, CIMFR, PESO, SR. NO., GAS GROUP, RATING, BIS MARKING, WARNING STATUS, etc...)
- 2 - GLASS - HEAT RESISTANCE CLEAR TOUCHENED GLASS 'TYPE-A' OF 'SUDHIR' BRAND
- 3 - CABLE ENTRIES - 2 Nos. M20 / 1/2" NPT / 3/4" ET SIZE CABLE ENTRIES FROM SIDE (REFER DRAWING)
- 4 - TERMINALS - 6 Nos. 2.5sq. mm (MICRO) CLIP-ON TYPE TERMINALS OF 'ELMEY/CONNECTWELL' MAKE



Bracket For Flood Light Fitting

THIS DRAWING IS PROPERTY OF "SUDHIR SWITCHGEARS PVT. LTD." AND MUST BE RETURNED ON REQUEST IF IT IS SUBMITTED AS CONFIDENTIAL INFORMATION IN CONNECTION WITH ENQUIRY, TENDER, ORDER, OR CONTRACTS IT IS NOT TO BE USED FOR ANY OTHER PURPOSE OR ORDER NOR MAY IT RE-COPIED OR LENT WITHOUT OUR AUTHORITY IN WRITING.

THANE

NOTE :		CAT. No.	WG/1240
• COMPONENT LAYOUT IS TENTATIVE RELOCATION OF PARTS & COMPONENTS IS POSSIBLE AT THE TIME OF ACTUAL MANUFACTURING.		MODEL No.:	WG/1240/FL/80
• OVERALL DIMENSIONS ARE ±10mm		DRN.	profill
Δ		CHKD.	JASRAH
Δ		APPD.	
Δ		SHEET	1 OF 1
REV.	DATE	DESCRIPTION	DRN.
			CHD.
			APPD.
			SCALE
			N. T. S. REV.-0

SUDHIR SWITCHGEARS PVT. LTD.
130, MULBARI SAMACHAR MARG, MULBARI - 400 023

TITLE : **FLP-WP ENCLOSURE FOR FLOOD LIGHT**
FITTING SUITABLE FOR 80 WATTS LED LIGHT FITTING

CIMFR CERT. No. : IN/CIMFR/TR21/P/H176
Dt. 11/08/2021

PESO No. : P546023/1
Dt. 26/09/2022

BIS LICENCE No. : CM/L-0002914461